

8 7 6 5 4 3 2 1

D

D

C

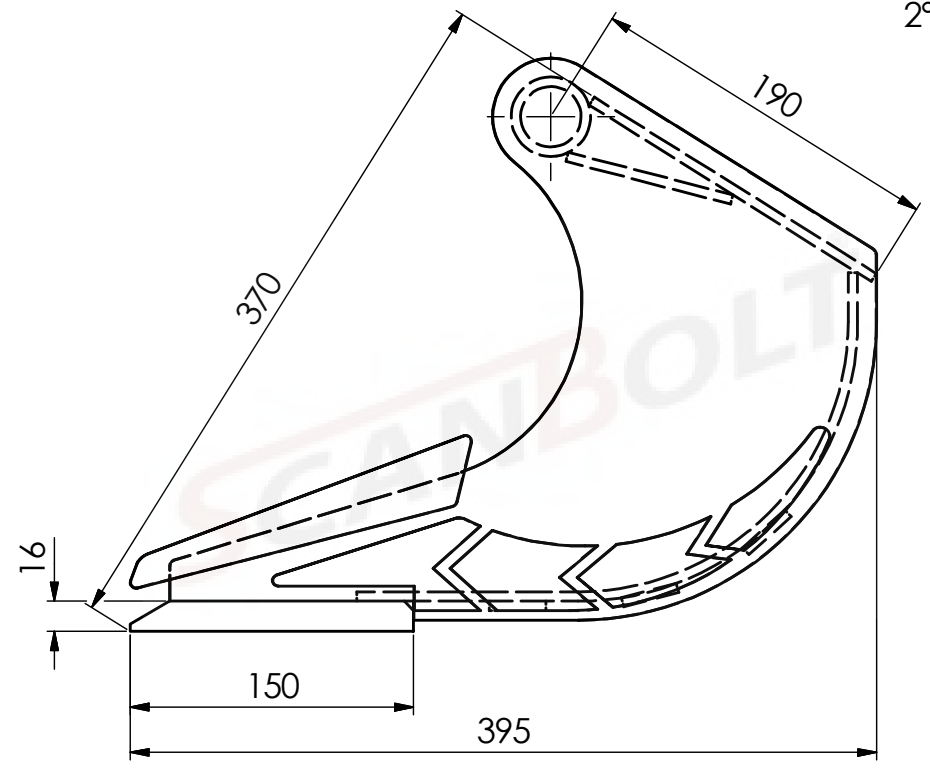
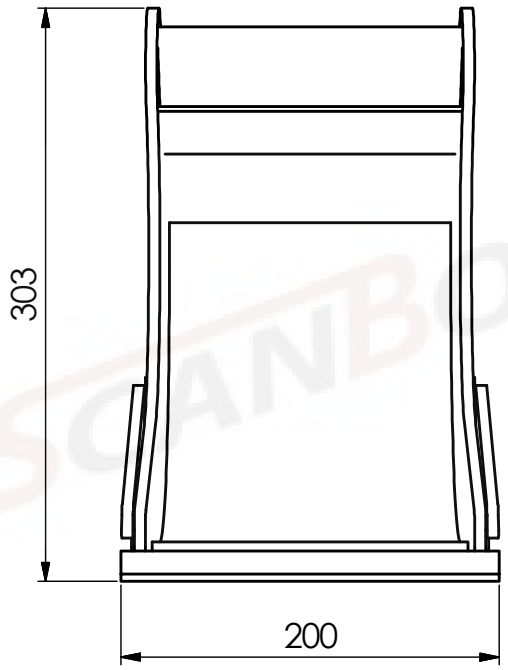
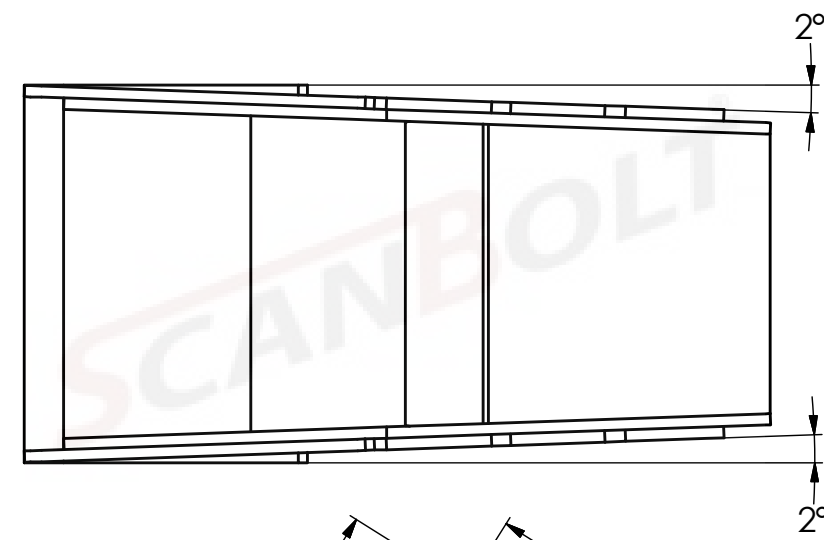
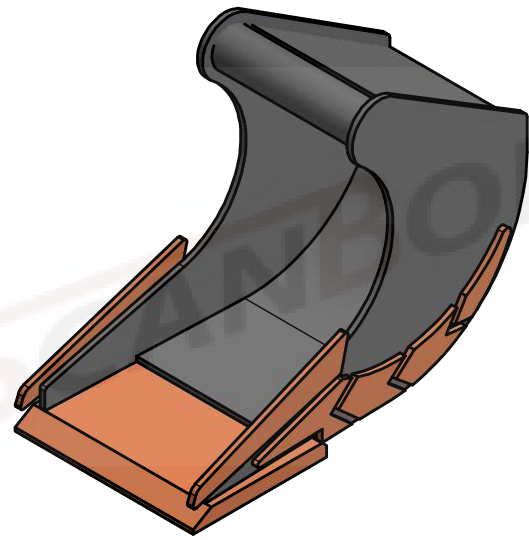
C






B

B

A

A



MATERIAL SPECIFICATION	
	ST52.3
	EN8D
	HB 400
	HB 450
	CASTALLOY STEEL

SCANBOLT®	
DESCRIPTION	20CM CLAY BUCKET
MACHINE CLASS	0.5 - 1.2 TON
WEIGHT	15 Kg
HEAPED CAPACITY	11.4 LITERS

8 7 6 5 4 3 2 1